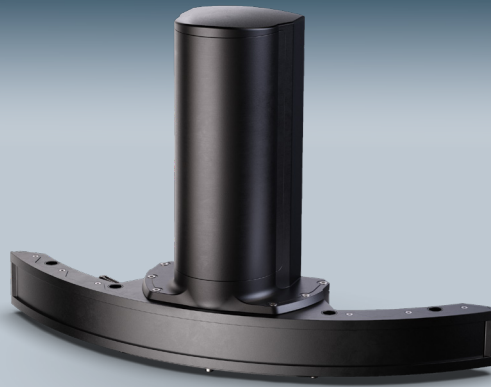




# NORBIT WINGHEAD® i77h



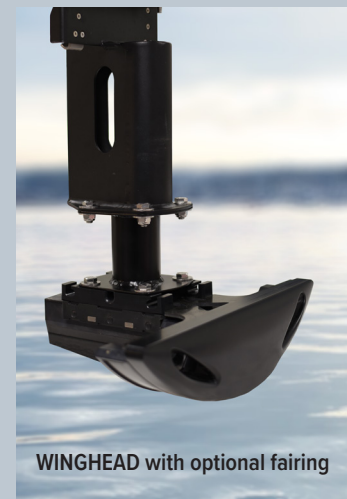
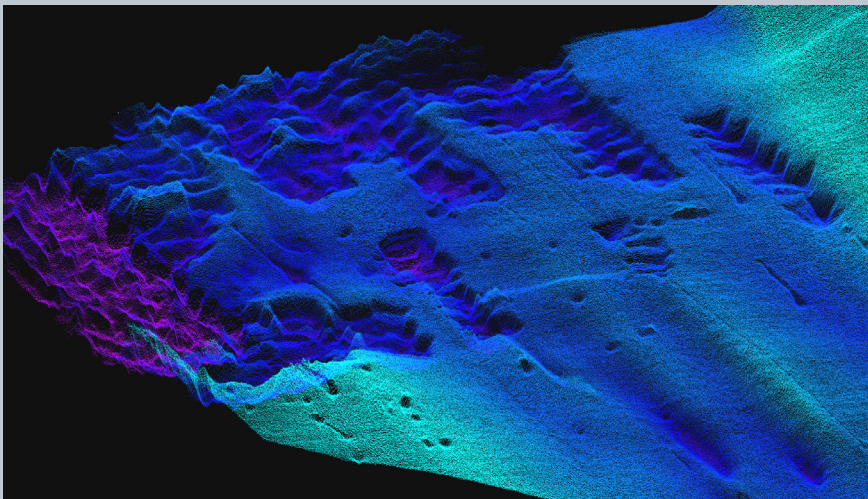
## Superior Performance Ultra High-Resolution Curved Array Bathymetric System.

NORBIT introduces the first cylindrical ultra-high resolution curved array bathymetric system, designed for rapid anywhere anytime mobilization featuring the highest standard industry leading integrated GNSS/INS positioning system.

NORBIT WINGHEAD sonars are based on a state of the art analogue and digital platform featuring powerful signal processing capabilities, offering roll stabilized bathymetry and several imagery and backscatter outputs ensuring the highest quality survey data performance. With broad R&D expertise, NORBIT has developed - from the ground-up - exciting new technology that allows existing and new applications to benefit from the advantages offered by a compact wideband curved-array multibeam sonar.

The NORBIT WINGHEAD i77h is a compact ultra-high resolution curved array broadband multibeam sonar offering tight integration with GNSS/INS (Applanix OceanMaster) that is designed for use in the most demanding operational environments such as under bridges or in rough sea conditions. Characterised further by a small form factor; low power draw and tight integration, WINGHEAD i77h installation can occur on surface survey platforms ranging from small USVs to large vessel permanent hull mounts.

Supported by DCT (NORBIT Integrated Data Acquisition Software) for efficient survey data acquisition.





### Features

- ✓ Multibeam Sonar with Integrated Inertial Navigation System & Integrated NTRIP Client
- ✓ 80kHz Bandwidth
- ✓ Roll-stabilisation
- ✓ Backscatter outputs (Intensity, Sidescan, Snippets Sidescan, Snippets, Water Column)
- ✓ Multidetect
- ✓ Pipeline Mode
- ✓ Simple Ethernet Interface
- ✓ Integrated Sound Velocity Probe
- ✓ 1024 Dynamically Focused Beams
- ✓ FM & CW Processing
- ✓ Exceeds IHO *Special Order*, CHS *Exclusive Order* & USACE *New Work*

### Applications

- ✓ Shallow Water Bathymetry
- ✓ Pipeline & Cable Inspection Surveys
- ✓ Quay wall, bridge and structure inspection surveys
- ✓ Pond, River and Estuary Surveys
- ✓ Harbor and Lake Surveys
- ✓ USV & UUV
- ✓ Coastal Surveys

### Options

- ✓ Sound Velocity Profiler
- ✓ Turnkey Survey Solutions
- ✓ Permanent Hull Mount, Non-corrosive Titanium Housing
- ✓ Extended Depth Range
- ✓ Flexible Surface/ROV Configuration
- ✓ Pole Mount
- ✓ Supports NORBIT iLiDAR
- ✓ Detached INS Version
- ✓ Senior Hydrographer for Support and Training
- ✓ Can be Delivered with Software Packages e.g. DCT, HYPACK, Qinsy, EIVA, CARIS and Others
- ✓ \*\*MarineStar, RTX

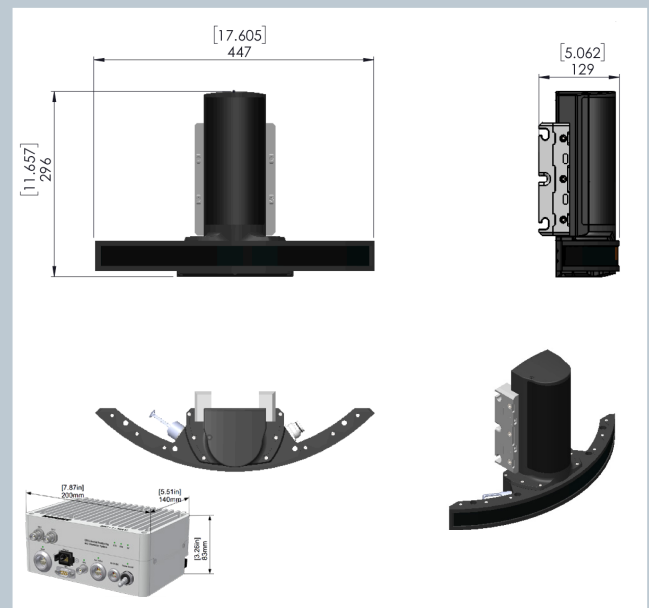
### TECHNICAL SPECIFICATION

SWATH COVERAGE	5-210° FLEXIBLE SECTOR (SHALLOW WATER IHO SPECIAL ORDER >155°)
RANGE RESOLUTION	<10mm ACOUSTIC w. 80kHz BANDWIDTH
NUMBER OF BEAMS	256, 512, 1024 EA & ED
OPERATING FREQUENCY	NOMINAL FREQUENCY 400kHz (FREQUENCY AGILITY 200-700kHz)
DEPTH RANGE	0.2m to >400m*
PING RATE	UP TO 60Hz, ADAPTIVE
RESOLUTION (ACROSS X ALONG)	STANDARD: 0.5° X 0.9° @400kHz, 0.3° x 0.5° @700kHz
POSITION	HOR: ±(8mm +1ppm x DISTANCE FROM RTK STATION) VER: ±(15mm +1ppm x DISTANCE FROM RTK STATION) (ASSUMES 1m GNSS SEPARATION)
HEADING ACCURACY	0.02° WITH 2m ANTENNA SEPARATION 0.01° WITH 4m ANTENNA SEPERATION
PITCH/ROLL ACCURACY	0.008° RTK & PPK, 0.01° INDEP. OF ANTENNA SEPARATION
HEAVE ACCURACY	2 cm OR 2% (TRUEHEAVE™), 5 cm OR 5% (REAL TIME)
INTERFACE	ETHERNET
POWER CONSUMPTION	<90W (10-28VDC, 110-240VAC) TOTAL
DIMENSIONS	DIMENSIONS WITHOUT BRACKET H: 447mm/17.605", L: 296mm/11.657", W: 101.9mm/4.010"
WEIGHT	6.9kg (AIR) 3.8kg (WATER) EXCL. BRACKET 7.4kg (AIR) 4.0kg (WATER) INCL. BRACKET
CABLE LENGTH	STD 8m, OPTIONAL: 2m, 25m
OPERATING TEMP.	-4°C to +40°C (TOPSIDE -20°C to +55°C)
STORAGE TEMP.	-20°C to +60°C
ENVIRONMENTAL	TOPSIDE: IP67: DUST TIGHT, PROTECTED AGAINST THE EFFECT OF IMMERSION UP TO 1m WET-END (SONAR): 100m

\* Typical Swath ±20° @ 30ppm, 10°C

\*\*Contact NORBIT for more information

### OUTLINE DRAWING



Sonar including bracket (bracket shown in grey)