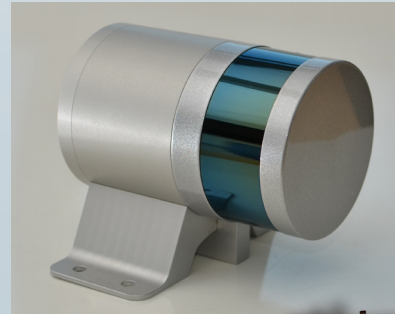


NORBIT iLiDAR LASER SENSOR

Turnkey Integrated Mobile LiDAR System For Complete Above Water 3D Point Cloud

The NORBIT iLiDAR is the most compact terrestrial mapping sensor fully integrated with a high resolution bathymetric multibeam system. With 300k data points per second in 30x360deg coverage, it is an ideal tool for mapping above water surface terrain for a complete picture from a single pass. A single robust cable connects the IP67 iLiDAR sensor head to the topside Sonar Interface Unit (SIU) – with fewer connections, rapid integration and compact size, surveys are easily carried out from any sized platform by personnel with minimal expertise.



NORBIT's iLiDAR laser sensor is a multi-sensing concept that combines multiple tightly integrated sensors into one hardware platform with a single LAN connection to survey laptop. Supported sensors include any combination of bathymetric multibeam echo-sounder, forward looking sonar, forward looking bottom detection and iLiDAR. Allowing you to...



Explore more with NORBIT

Features

- ✓ Built For Marine Environment
- ✓ Hardware Time Synchronization
- ✓ Fully Integrated With iWBMS
- ✓ Robust Hardware Time Synchronization
- ✓ Single Cable Integration
- ✓ 360 Deg Field View
- ✓ Less Than 3kg

Applications

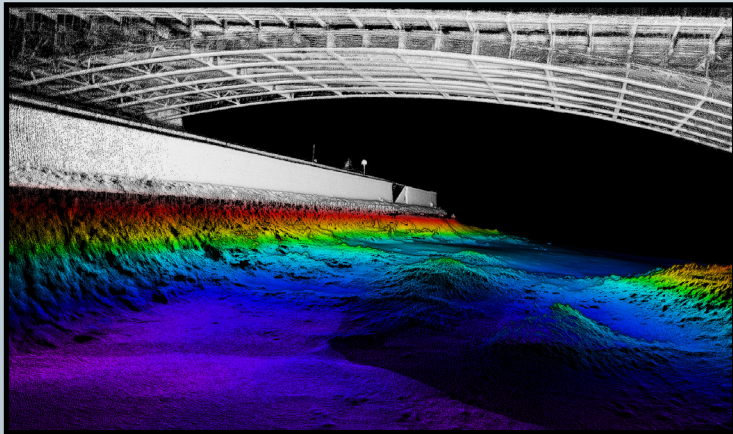
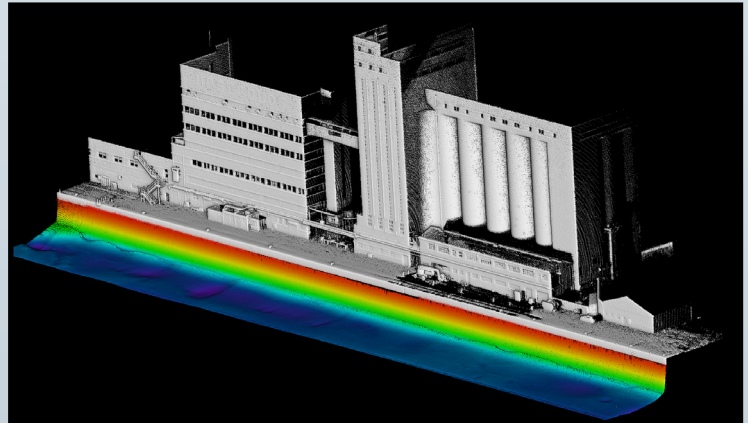
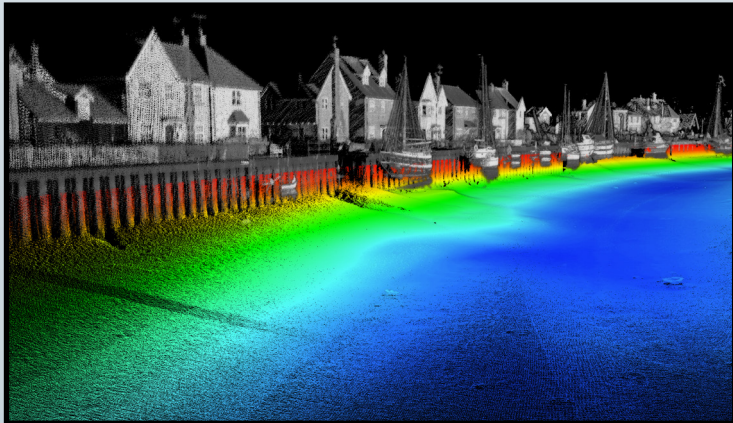
- ✓ Harbor Surveys
- ✓ River Surveys
- ✓ Height Clearance (Transmission Lines, Bridges etc.)
- ✓ Beach Nourishment Surveys
- ✓ Shoreline Charting Surveys
- ✓ Aquaculture
- ✓ Dredging
- ✓ Rock Dumping
- ✓ 360 Mapping

Options

- ✓ Senior Hydrographer for Support and Training
- ✓ Laptop
- ✓ Turnkey Survey Solutions
- ✓ Pole Mount And Travel Option
- ✓ Top-end INS (Roll, Pitch & Heading 0.01deg)
- ✓ Acquisition, Navigation & Post Processing Software
- ✓ Can be Delivered with all major software packages e.g. HYPACK, QINSy, EIVA, CARIS, etc.

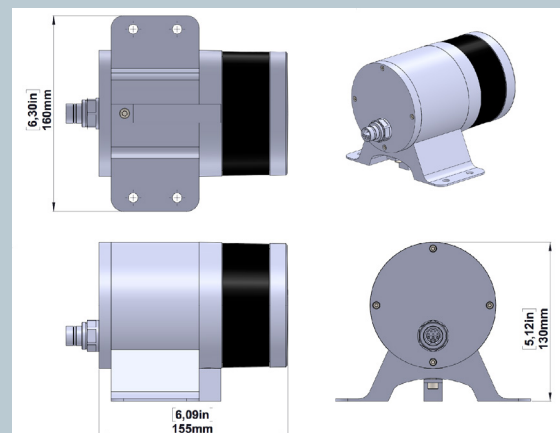
NORBIT iLiDAR laser

Turnkey Mobile LiDAR System



TECHNICAL SPECIFICATION

INFRARED LASER MODULE	1-20Hz-TIME OF FLIGHT MEASUREMENTS WITH DUAL RETURNS
FRAME RATE	5-20Hz (10Hz DEFAULT)
WAVE LENGTH PEAK	905nm (TYPICALLY) CLASS 1 EYE SAFE
OUTPUT	UP TO 300.000 POINTS PER SEC
ANGULAR RESOLUTION	2° BETWEEN EVERY OF THE 16 LASER/HORIZONTAL
ANGULAR RESOLUTION	0.1°-0.4° VERTICAL
FIELD OF VIEW	30° HOR., 360° VER
RANGE	100m
DATA I/O	NORBIT PROPRIETARY SYNCHRONIZED TIME STAMPED
POWER	8W (TYPICAL)
VOLTAGE	10-28VDC OR 110/220VAC (POWERED DIRECTLY BY THE SIU)
ACCURACY	2cm
DIMENSIONS (DIA. x H x L)	103mm x 130mm x 150mm
WEIGHT	2.4kg



SERVO DRIVEN GEAR SYSTEM IN BOTH AXES WITH MANUAL CLUTCH OVERRIDE SYSTEM 3-AXIS FLUXGATE MAGNETOMETER + 3-AXIS ACCELEROMETER